

Barbed wire or tension wire

Installation Manual



1. Tools

- Wireman's pliers
- Side cutter
- Gloves
- Wrench - 10mm



2. Material

B BETA FENCE

- Barbed wire or tension wire
- Tensioner
- Binding wire
- Tension wire

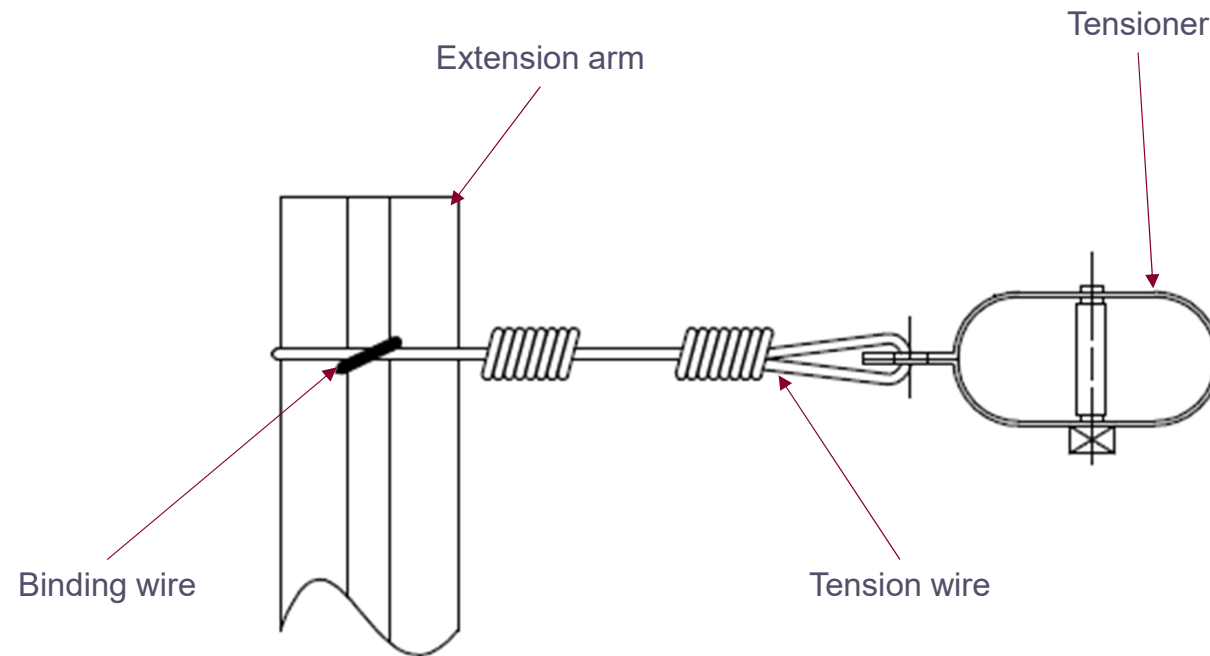


3. Installation

Cut a part of approximately 70cm of Tension wire.

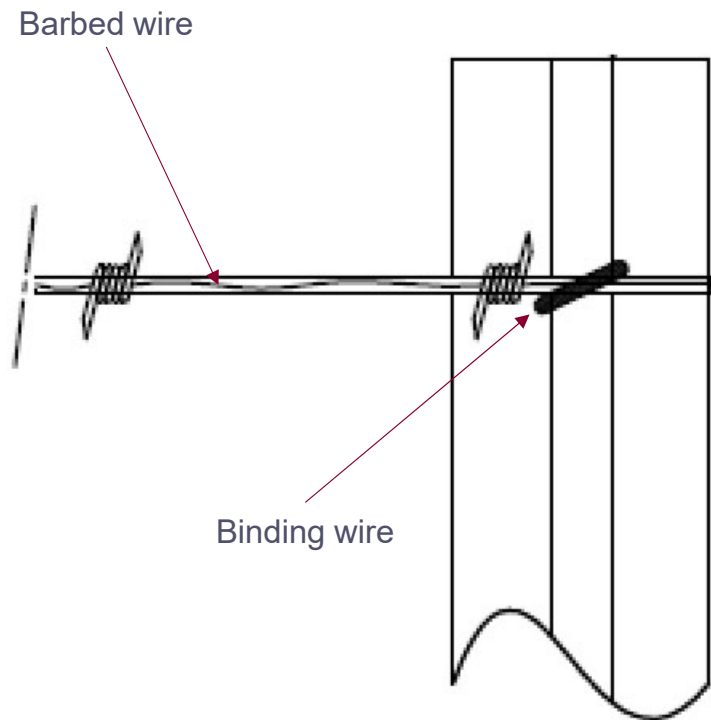
Fix the tension wire on the first extension arm and add a short piece of binding wire.

At the other end of the tension wire add the tensioner.



3. Installation

Start to install the first row of Barbed wire close to the fence. Pull the barbed wire over the length of the fence and fix with binding wire on the last extension arm.

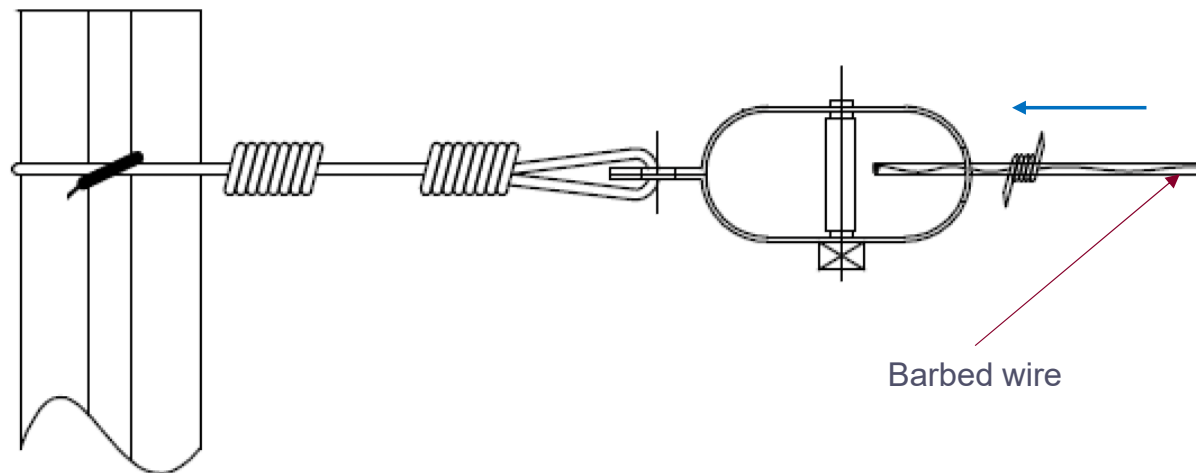


Note: The barbed wire can also be replaced by tension wire.

3. Installation

Try to pull the barbed wire a little bit by hand and put the end in the tensioner.

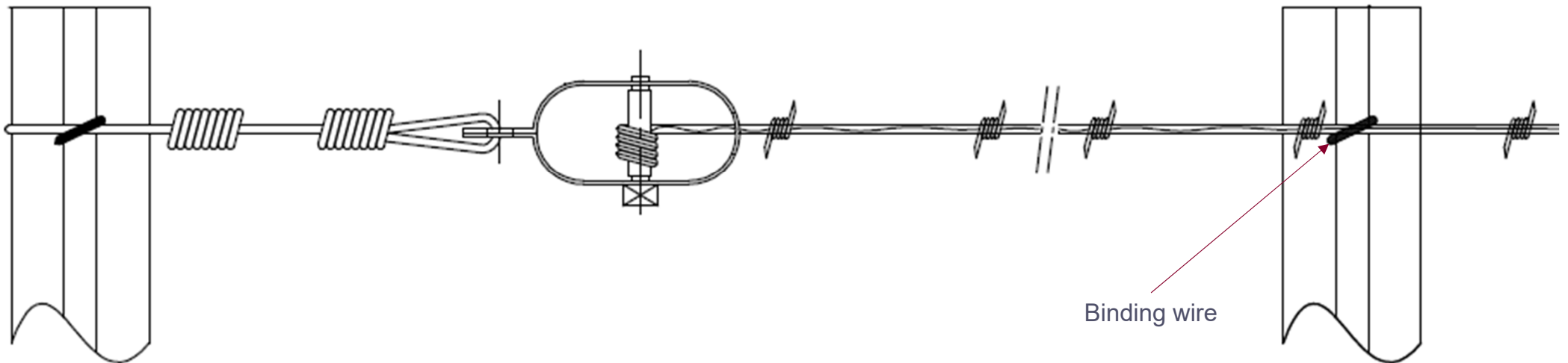
It is possible that you must remove a few barbs from the wire.



3. Installation

Tension the barbed wire by turning the tensioner with the wrench.

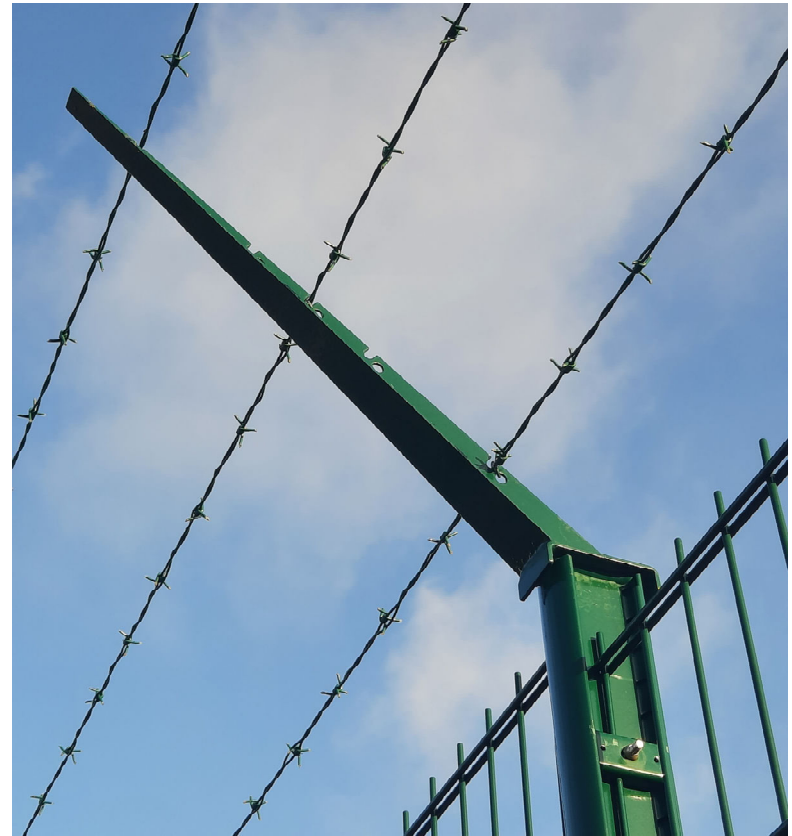
After tensioning, fix the barbed wire with binding wire on every extension arm



3. Installation

B BETA FENCE

Do the same for the other rows of barbed wire/tension wire.



B BETAFENCE

B **BETAFENCE**

a PRÆSIDIAD brand