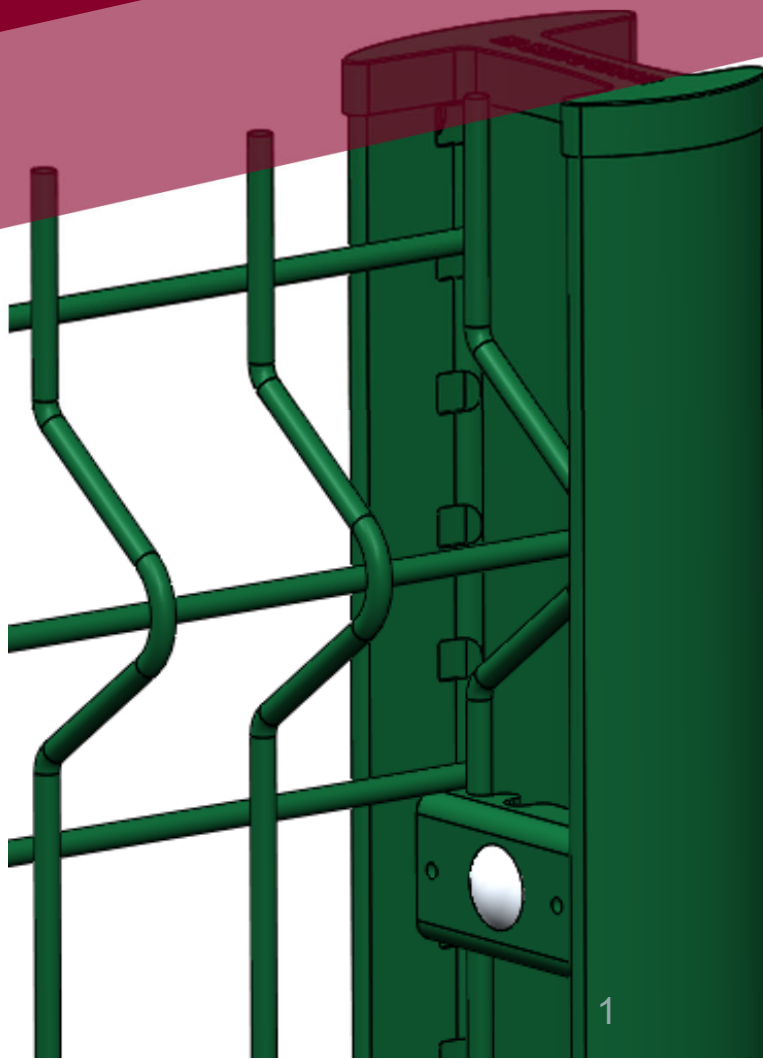


# INSTALLATION MANUAL

UniLox®

Installation principle: Post-Panel-Post



## **1. Universal Aspect**

## **2. Components of the fencing systems**

2.1. UniLox Posts

2.2. Bekafix Fixators compatible with UniLox post

## **3. Installation of the fencing systems**

3.1. Foundations

3.2. Installation Method

3.3. Post-Panel-Post Installation

3.4. Material Quantities

3.5. Corners

3.6. Sloping

3.7. Installation with concrete plates

## **4. UniLox + CreaZen**

4.1. Separate Installation accessories

4.2. Installation on slopes

## **5. Optional Extras**

# 1. Universal Aspect

## UniLox & Bekafix(Ultra) posts:

If the UniLox posts are installed in the Post-Panel-Post-Panel installation method then the same fixators are to be used as already known & used for the Bekafix(Ultra) posts

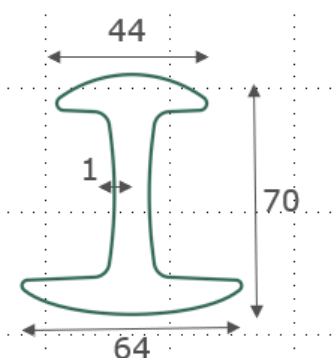
The Base plates / Bent arms / Extension pieces are similar between UniLox and Bekafix(Ultra) posts



## 2. Components of the fencing systems

### 2.1. UniLox posts

- Profile 70x64x1mm / 70x44x1mm
- Posts are available for panels from to 2.4 metres high
- The posts are galvanised inside and then polyester coated
- This type of post can be installed with Nylofor 3D, 3D XL, 3D Essential, 3D Light II, 3D Basic, 2D, F, Zenturo, Creazen, Bekafor, Nylofor 2D Super and 3D Super panels
- Posts are pre-drilled with holes where the fixator clamps are clicked into place and for bolting fixators together through the posts.
- Each post is fitted with a PA post cap.
- A base plate can be inserted and screwed to the post
- Single and double bent arms are available as an additional option

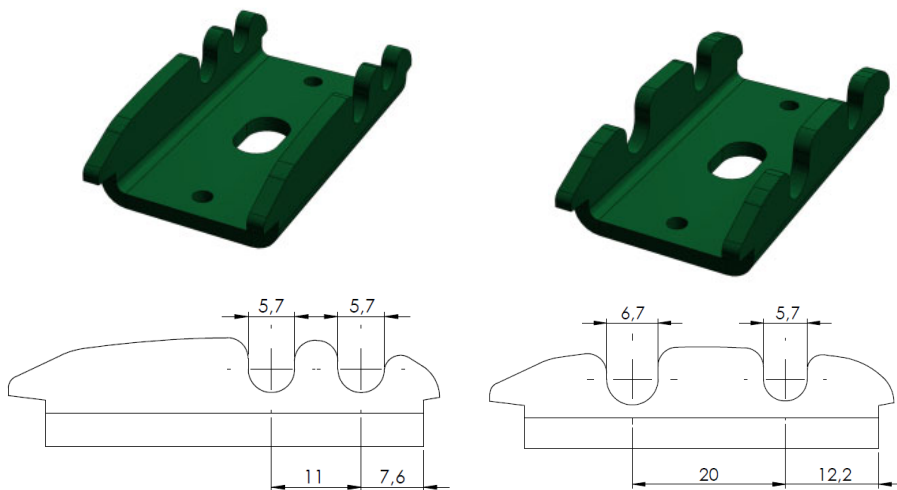


## 2. Components of the fencing systems

### 2.2. Bekafix Fixators compatible with UniLox post

- Steel & plastic fixators compatible with UniLox post (similar fixators like Bekafix(ultra))
- Bekafix Steel or Plastic fixators can be used with UniLox with the same installation procedures and requirements as Bekafix posts (please refer to Bekafix installation manual)
- To position the fixators the standard Bekafix(Ultra)/UniLox tong is needed

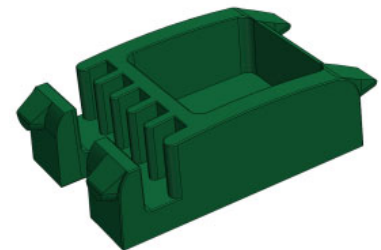
#### Steel fixators



**Bekafor, Nylofor 3D Light, Essential, 3D, 3D XL, 2D & F**

**Nylofor 2D Super, 3D Super**

#### Plastic fixators



**Nylofor 3D Light II, 3D Essential, 3D, 3D XL**



Note: For extra security fixators can be bolted together, through the post. Bekafix fixators should always be used with **M6 x 50** mushroom head square neck bolts, washers and shear-off nuts.

## 3. Installation of the fencing systems

### 3.1 Foundations

- Firstly level the ground along the whole fence line as much as possible.
- Determine the centre-centre distance between posts. Use below table as a guideline for the different panel widths

#### Centre-Centre distance table

Post system:	Panel width		
	2000 mm	2500 mm	3000 mm
Centre-centre measurement UniLox Post for PO-PA-PO installation method	2020 mm	2520 mm	3020 mm
Tolerance on PO-PA-PO installation method	0 mm		

- Align the fence line
- To determine the dimensions of the foundations it is advisable to consult a specialised engineer to evaluate wind loads and solar conditions and any other factors requiring specialist opinion (concrete quality directive B30)
- When installing in concrete, they need to be supported while the concrete sets.



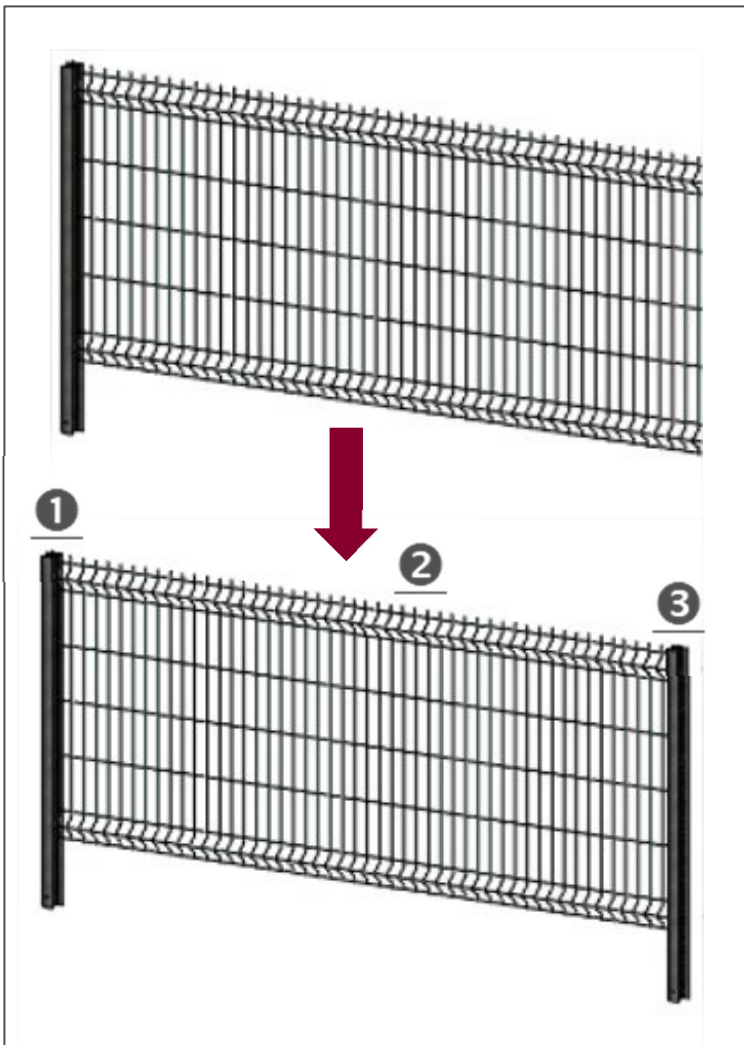


### 3. Installation of the fencing systems

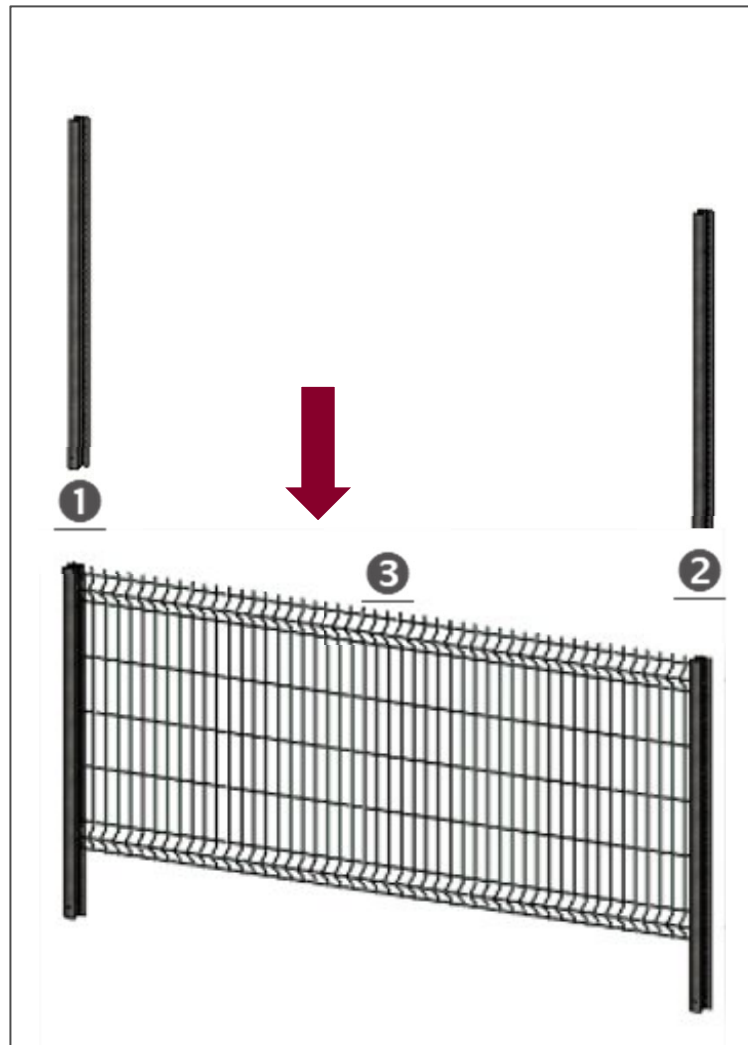
#### 3.2 Installation Method

UniLox can be used in both installation methods:

**PO-PA-PO = Post – Panel – Post**  
(the same as standard Bekafix(Ultra) / Izifix)



**PO-PO-PA = Post – Post – Panel\***



\* FOR PO-PO-PA INSTALLATION METHOD PLEASE CHECK OTHER INSTALLATION MANUAL

### 3. Installation of the fencing systems

#### 3.3 Post-Panel-Post Installation

##### ATTACHMENT OF THE CLAMPS

- 1 Start by attaching two posts to a panel, one on each side.
- 2 use the tool / pliers to “hang” the panel on the post
- 3 Use the Bekafix/UniLox tong to click the fixator into the existing perforated holes in the post.

Make sure you are using the tong from the narrow side of the post

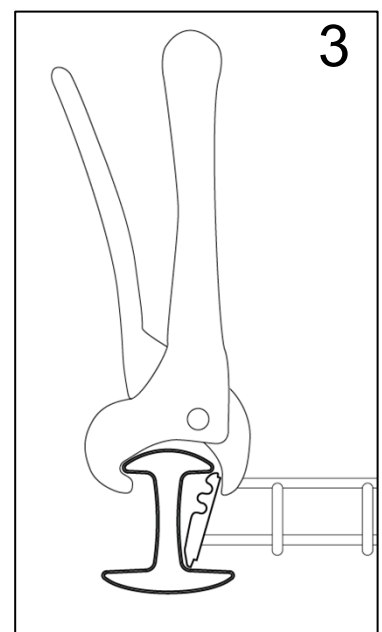
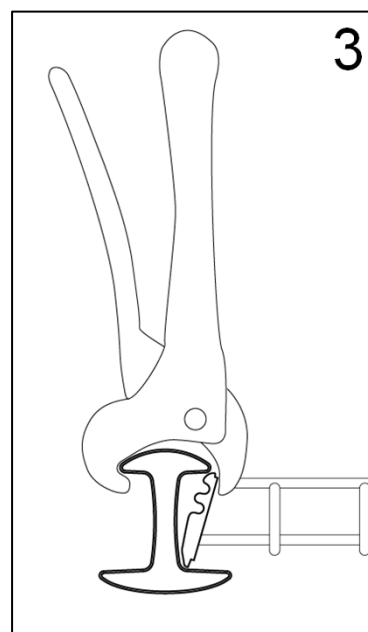
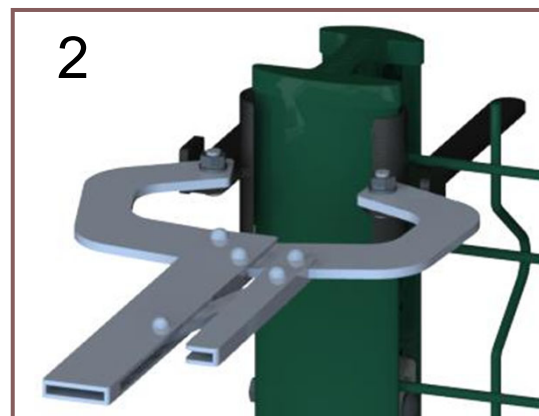
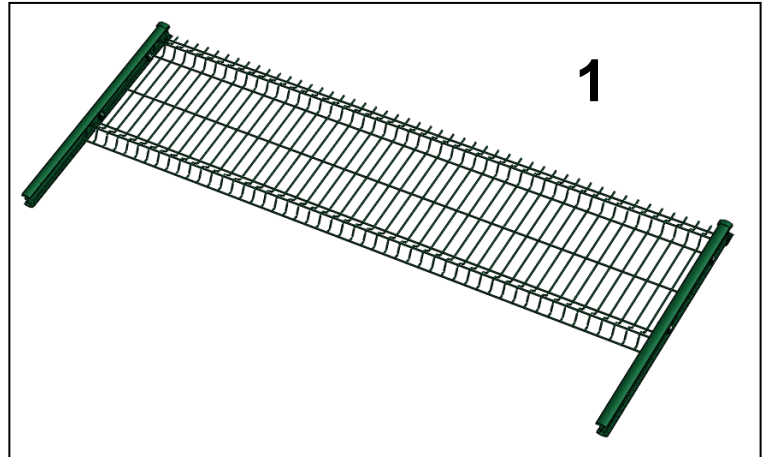
- a) 3D Panels – position & fix the 1st fixator below the first top 3D nose (bend).

The panel should no longer rest on the hanging tool.

- b) A second fixator is fixed above the last 3D Profile.

- c) Place the rest of the fixators. Position fixators below a horizontal wire if possible.

For extra security you can bolt the fixators onto the post (only with Metallic fixator). Attach at least 1 metal clamp + security bolt per panel side (M6x50)



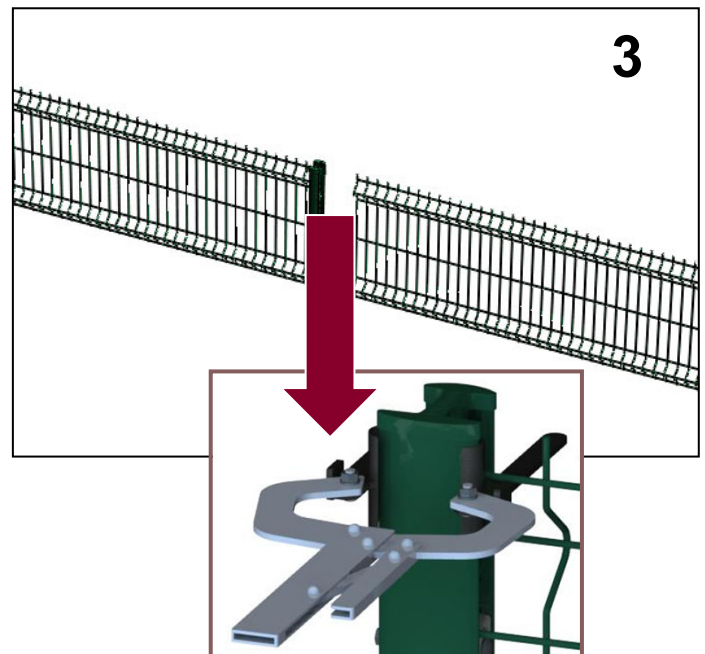
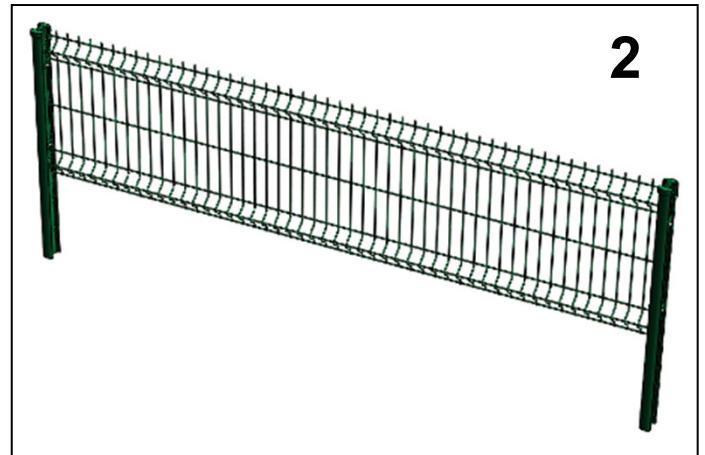


### 3. Installation of the fencing systems

#### Post-Panel-Post Installation

##### INSTALLATION IN CONCRETE

- The 2 posts, with a panel already attached, are lowered into the foundation holes.
- Ensure the panel and its height is aligned with the fence line
- Fill the foundation holes with moderately wet concrete (not liquid) and compress enough to hold the post upright.
- Support the posts or panels with wooded stays if necessary while the concrete dries.
- Hang the next panel onto the post using the hanging tongs.
- Fasten and secure as before
- place the next post in the foundation and fasten to the panel.
- repeat the steps

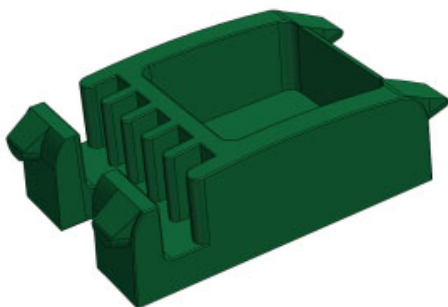


### 3. Installation of the fencing systems

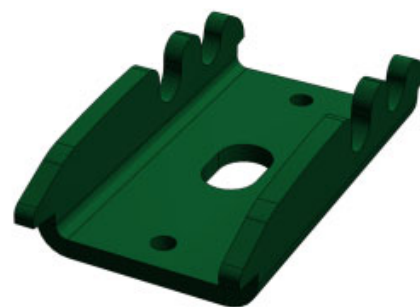
#### 3.4. Material Quantities

##### NUMBER OF FIXATORS NEEDED PER POST

Panel height [mm]	UniLox post length on baseplate [mm]	UniLox post length for concrete [mm]	Number of fixators per intermediate / corner post	Number of fixators per end post
1030	1075	1475	4	2
1230	1275	1675	6	3
1430	1475	1975	6	3
1530	1575	1975	6	3
1630	1675	2175	6	3
1730	1775	2175	6	3
1830	*	2475	8	4
1930	1975	2475	8	4
2030	2075	2575	8	4



PA (Polyamide)



Metal

### 3. Installation of the fencing systems

#### 3.5. Corners

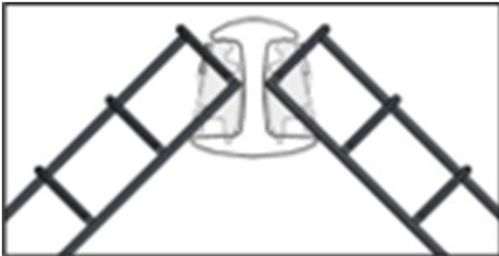
##### Profiled 3D panels / bent panels

A right or obtuse angle to 140 degrees can be made with one post. To make an acute angle 2 posts are needed.

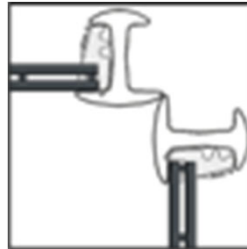
##### Flat panels

For all angles 2 posts are needed

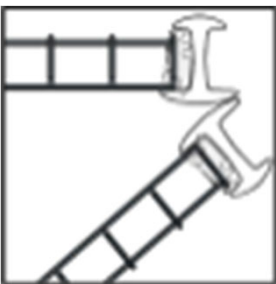
**RIGHT ANGLE**



**RIGHT ANGLE**



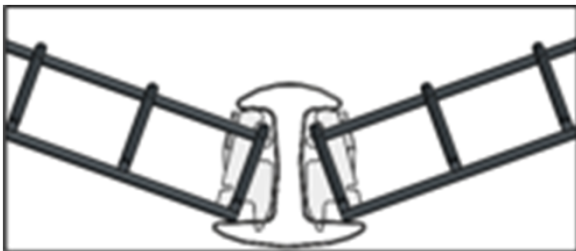
**ACUTE ANGLE**



**ACUTE ANGLE**



**OBTUSE ANGLE**



**OBTUSE ANGLE**



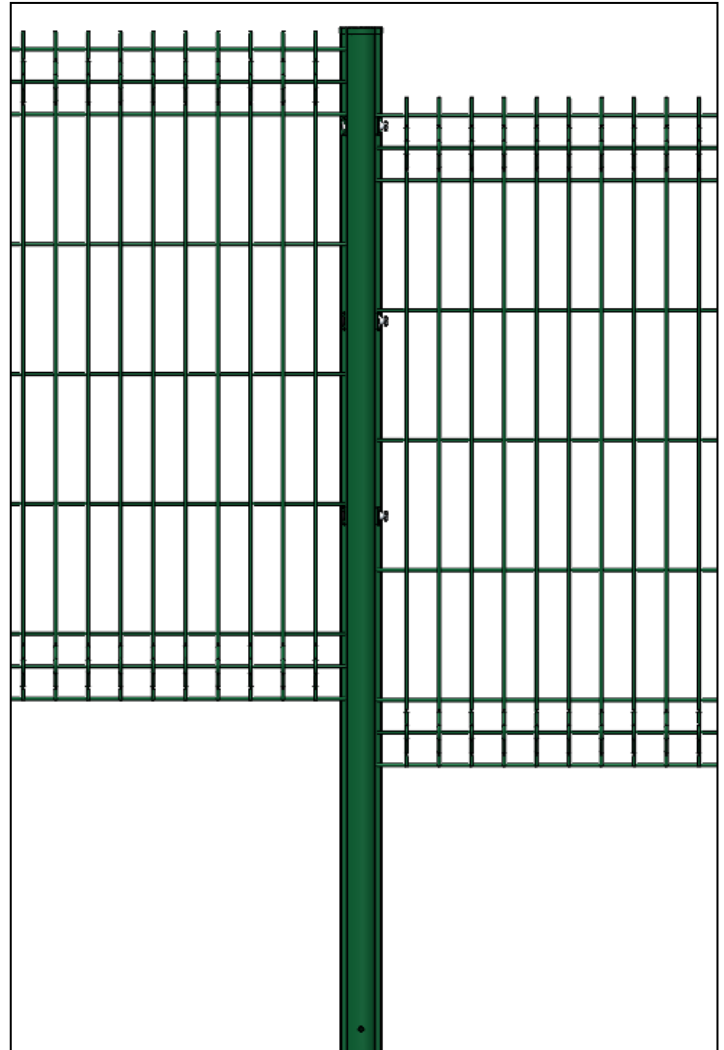
Place the corner post in line with the bisector of the right or obtuse angle required.

For an acute angle – place both posts into the same foundation. The panels are attached to the corner post only by means of metallic fixators (not PA fixators)

## 3. Installation of the fencing systems

### 3.6. Sloping

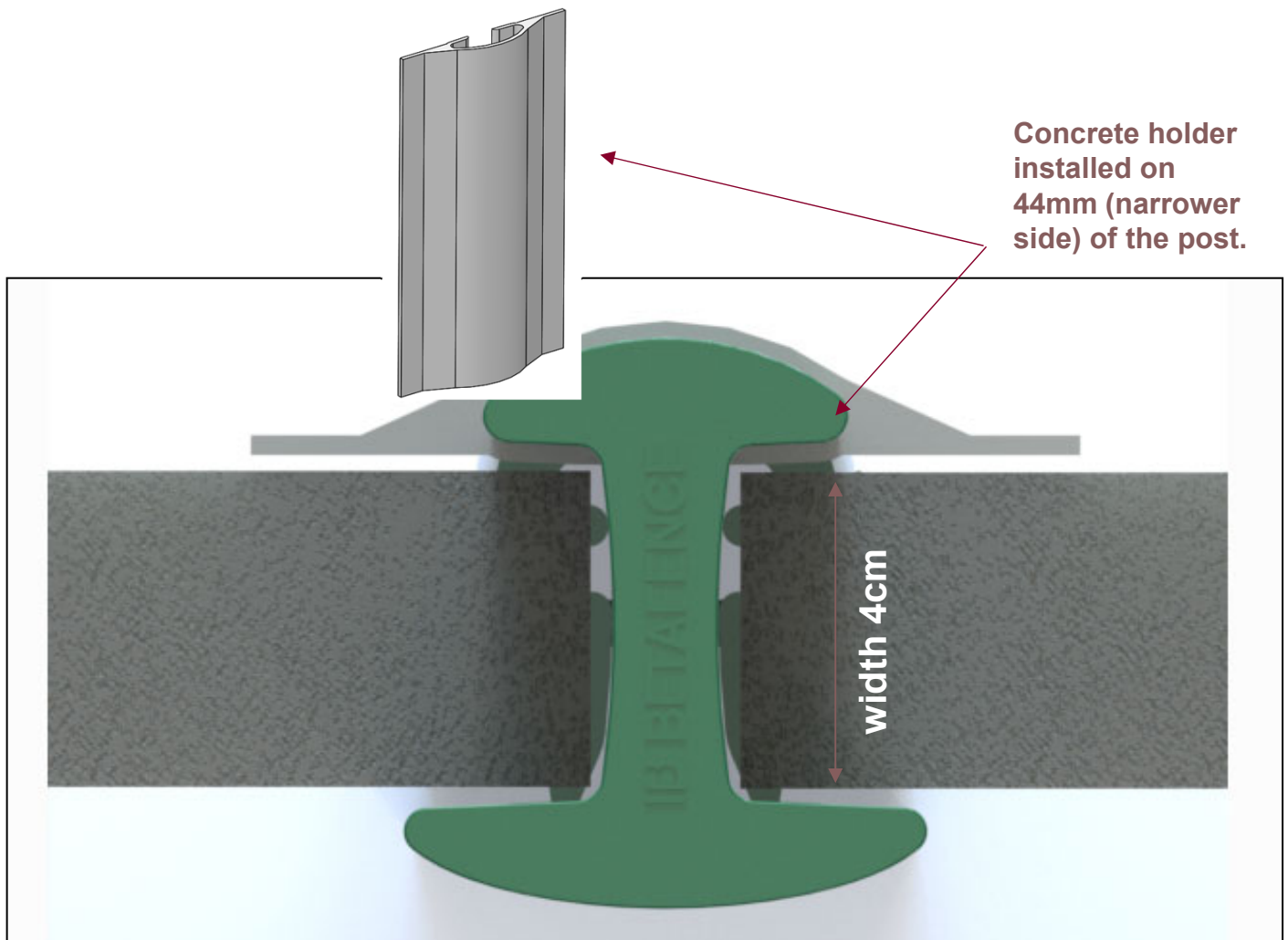
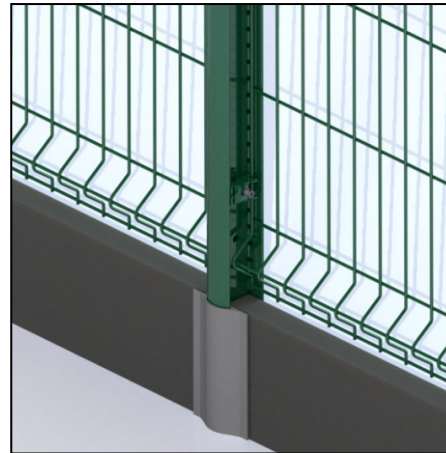
- **For effective stepping on a slope, it is important to plan and measure ahead of time!**
- Start at the highest point of the site and work “down” the slope.
- Follow the slope by fixing following panels lower on the post, as needed.
- **The pre-drilled holes will make this possible in minimum increments of 25 mm.**
- Longer posts might be needed on very steep slopes.



### 3. Installation of the fencing systems

#### 3.7. Installation with concrete plates

- UniLox posts accommodate the usage of concrete slabs of 4cm width.
- A separate concrete slab holder provides extra stability on the narrow side of the post (44mm side).

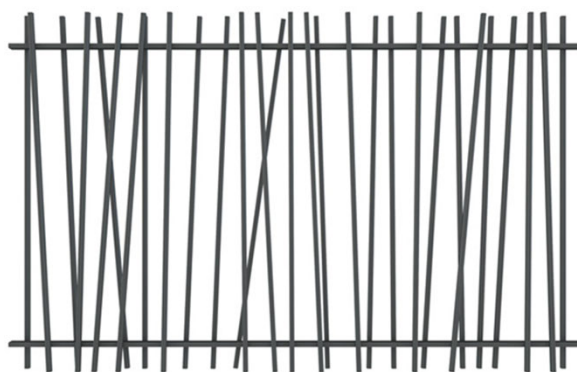


## 4. Unilox + CreaZen

### 4.1. Separate Installation accessories

#### FIXATION CLAMP

<b>What</b>	Clamp for fixing CreaZen panels to Bekafix (Ultra) and UniLox posts
<b>How</b>	Fixation clamps are bolted through the Bekafix (ultra) / UniLox post with bolts and nuts. The clamp enters the 2 horizontal profiles of the panel.
<b>Material</b>	Plastic fixator / stainless steel hardware
<b>Color</b>	Black
<b>Need</b>	4 clamps per panel
<b>SAP</b>	7069250
<b>EAN</b>	5412298372502
<b>Packaging</b>	1 <u>plastic bag</u> contains - 20 fixators (= for installation of 5 panels) - 12 stainless steel bolts & nuts, M8 1 box = 45 bags
<b>MOLQ</b>	Per 1 bag



For more information of the installation of CreaZen to Bekafix(Ultra) or UniLox posts please refer to the installation video of CreaZen panels on you tube



## 4. UniLox + CreaZen

### 4.2. Installation on slopes

Installation on slopes is possible by combining CreaZen plastic clamps with standard black metal Bekafix(Ultra)/UniLox fixators (SAP 7029058).

Way of working:

1. Bolt the plastic clamp to the Bekafix/UniLox fixator using an M6 x 40 stainless steel bolt & nut
2. Fix the fixator to the post using a hammer, at the required height. In this way it is possible to make steps per 25 mm



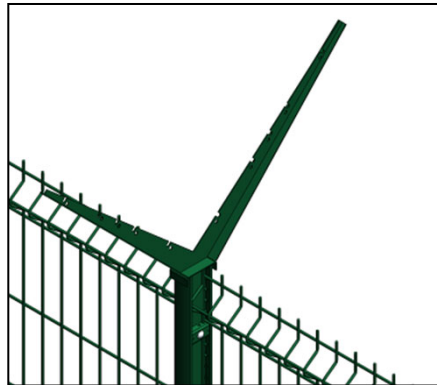
*For more information of the installation of CreaZen to Bekafix(Ultra) or UniLox posts please refer to the installation video of CreaZen panels on you tube*

## 5. Optional extras

### Bent arms

Allows for the installation of concertina & or barbed wire on top of the fence as an extra security measure (available in single or double configuration)

Attach the bent arm to the post with 2 x M8 x 20 bolts, washers & nuts through the pre-drilled holes (bolts not included)

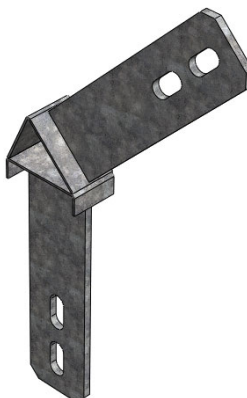


### EXTENSION ARM CONNECTOR

To make a cranked fence under an angle of 45° (typically the “bent” panel is 630 mm high)

Maximum loading of this piece is 50 kg!

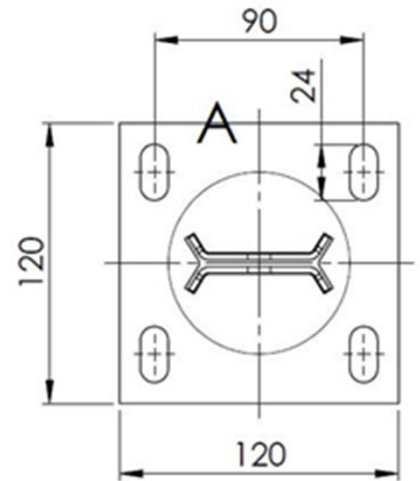
\* In case of special requirements, it's advised to contact a project engineer for strength calculations.



## 5. Optional extras

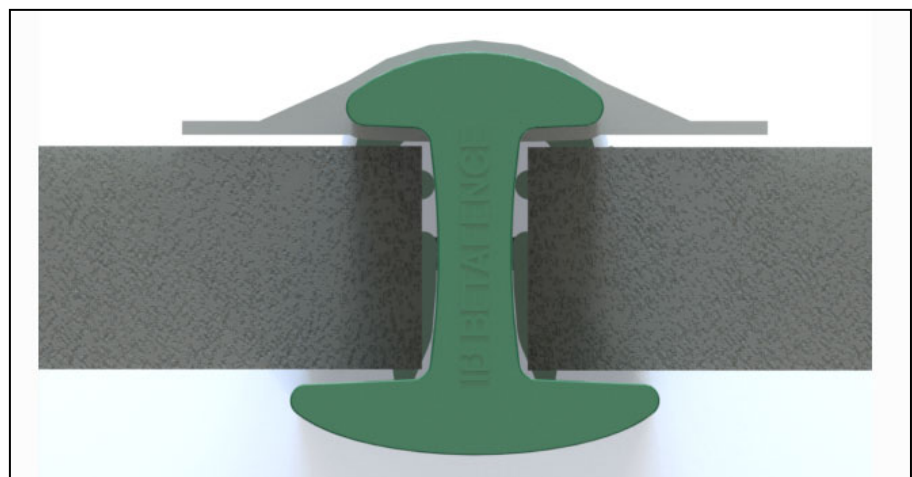
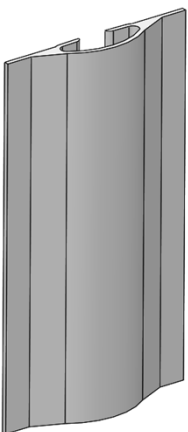
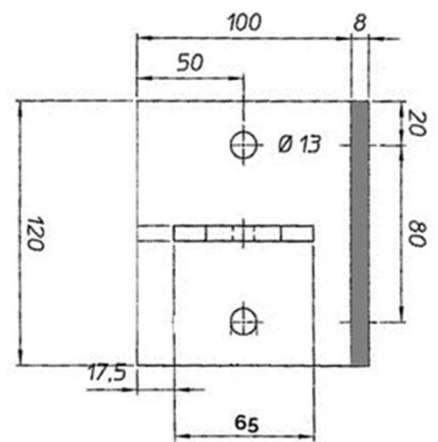
### Separate footplate

- Allows for the installation of your post on footplate. The footplate is inserted in the posts. Holes to connect the footplate to the post with a bolt thru the post are foreseen in the post. (bolts not supplied with the footplate) Standard model or L shape model available



### Concrete plate holder:

Allows for the installation of a concrete plate below your fencing system. (typically used to avoid erosion) Use the separate concrete plate holder on the “small side” of the post



Proud to be a PRÆSIDIAD brand, Betafence is part of a global network, working alongside Guardiar and Hesco as leaders in perimeter security systems and solutions.

For more information, please visit [praesidiad.com](https://praesidiad.com)

[Betafence.com/contact](https://betafence.com/contact)